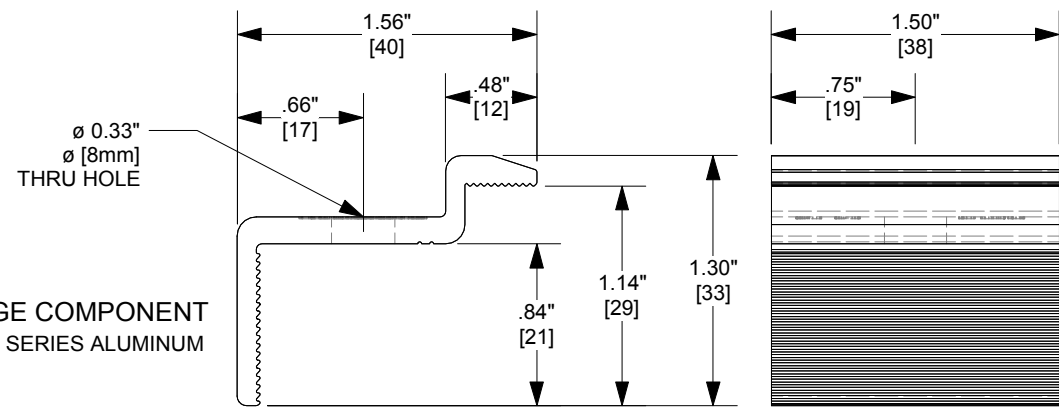
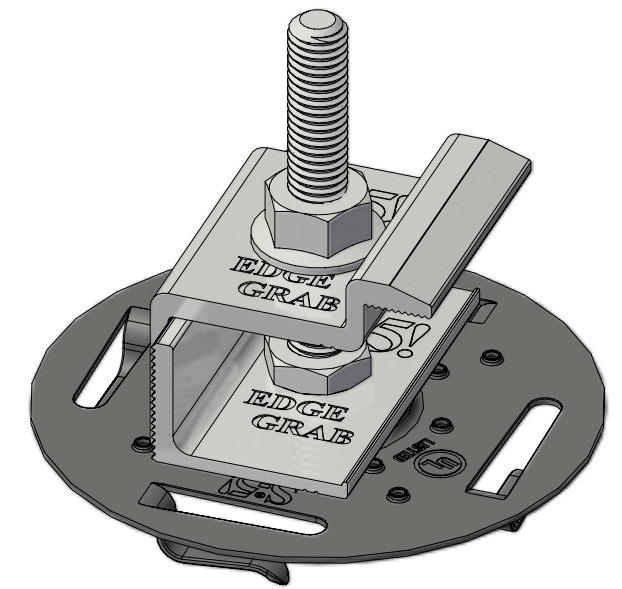
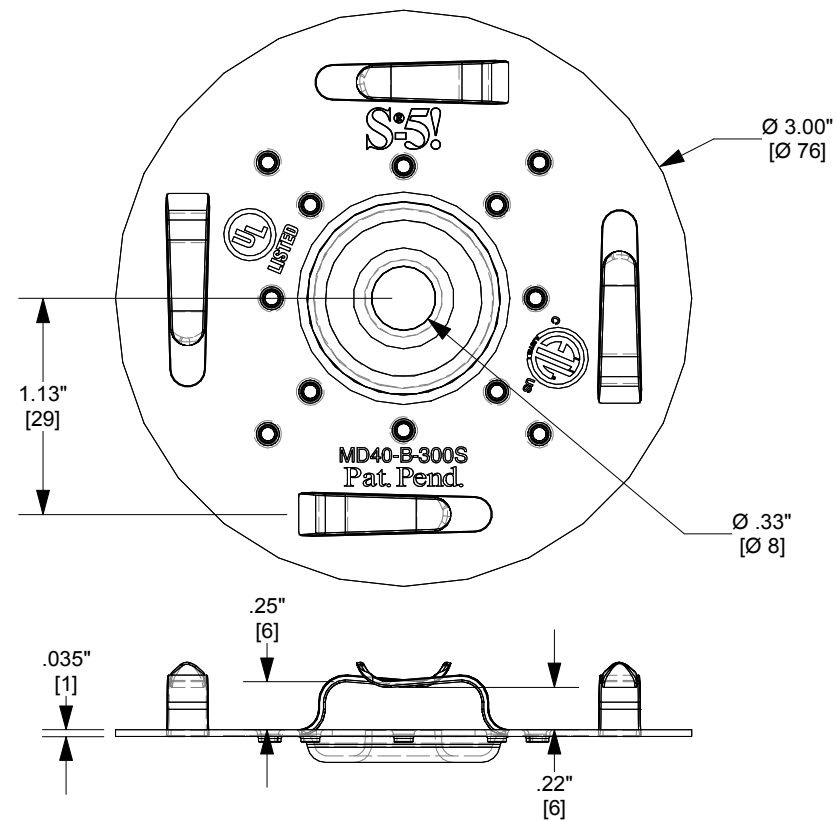
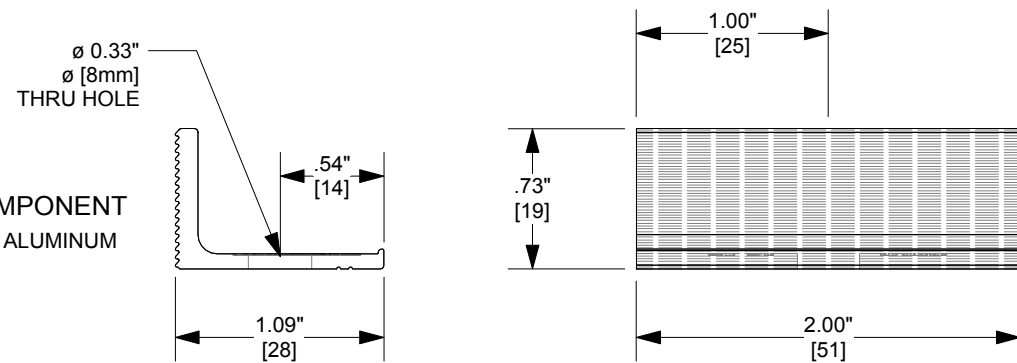


3" MOUNTING DISC
300 SERIES STAINLESS

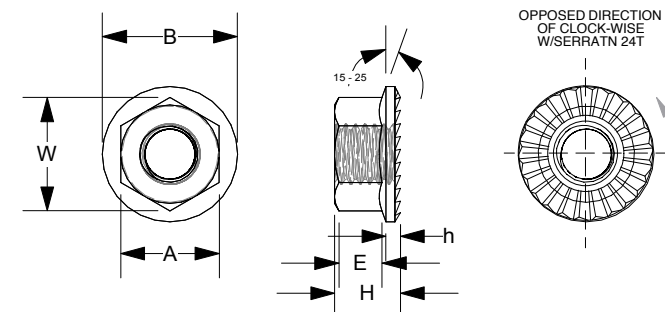
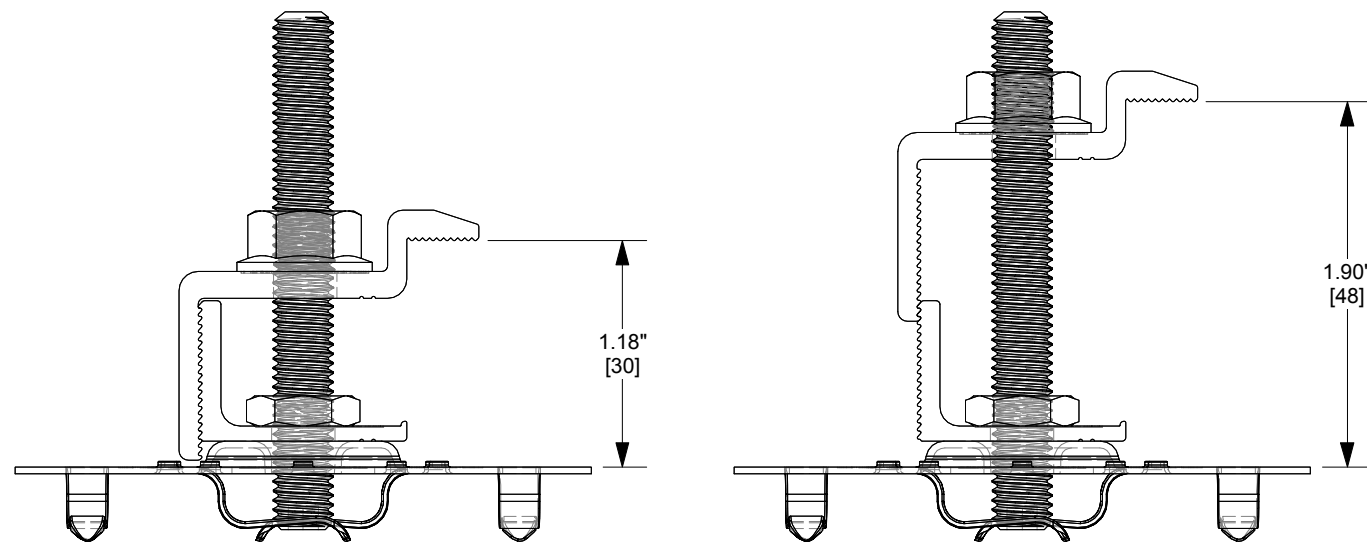


UPPER EDGE COMPONENT
6000 SERIES ALUMINUM



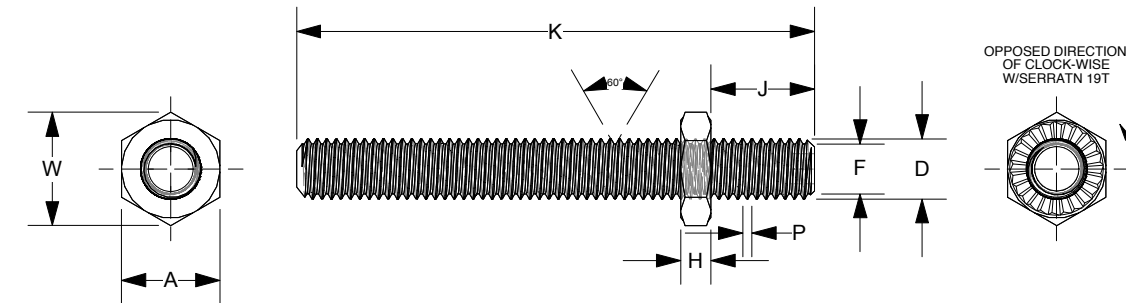
LOWER EDGE COMPONENT
6000 SERIES ALUMINUM

EDGE ASSEMBLY CONFIGURATION (30MM - 48MM)



DETAILS	HEAD DIA.	HEAD HI	E min.	h min.	W min.	WASHER DIA.
SIZE	A	H				B
M8	12.75 13.00	7.85 8.35	3.20	1.50	14.28	17.00 18.00

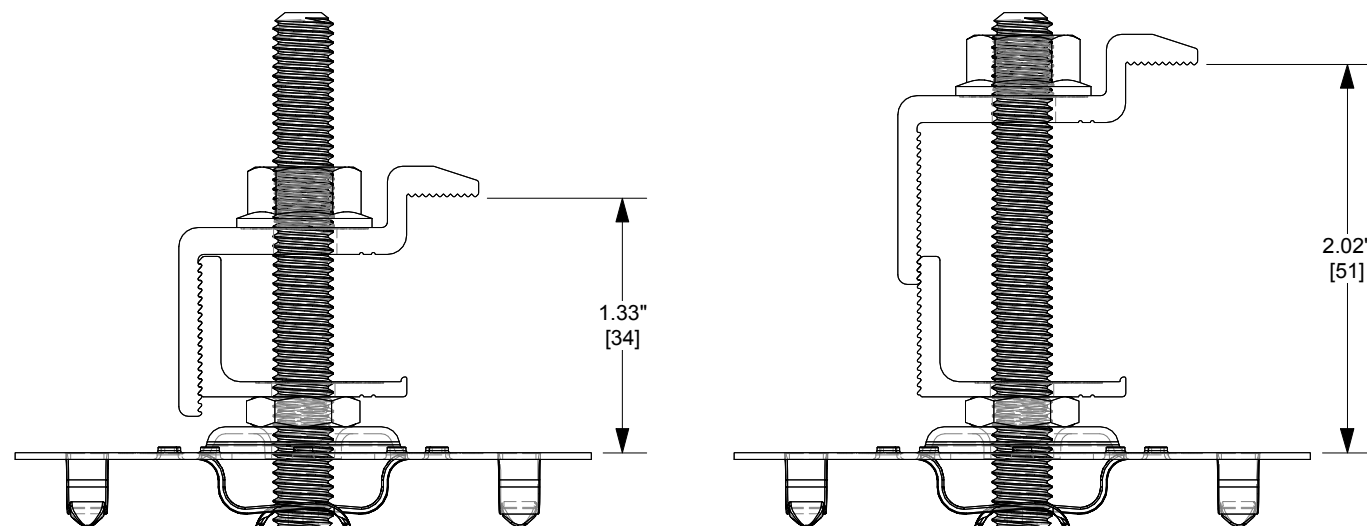
M8 HEX FLANGE NUT
300 SERIES STAINLESS




DETAILS	HEAD DIA.	HEAD HI	WIDTH ACROSS CORNERS	MAJOR DIA.	MAJOR DIA.	J	K	PITCH
SIZE	A	H	W min.	F	D			P
M8	12.75 13.00	3.67 3.97	14.38	6.272 6.438	7.760 7.972	13.60 13.77	67.82 68.50	1.25

UNIVERSAL PV STUD
300 SERIES STAINLESS

EDGE ASSEMBLY CONFIGURATION (34MM - 51MM)



Soligent
YOUR S-5! DISTRIBUTOR
SOLIGENT
800-967-6917
www.soligent.net

MATERIAL:	 The Right Way!			METAL ROOF INNOVATIONS, LTD. 8655 TABLE BUTTE RD COLORADO SPRINGS, CO 80908 719-495-0518 719-495-0045 (FAX)								
EST ASSEMBLY WEIGHT :							.214 LBS					
SUPPLIED HARDWARE:	NA			TITLE			S-5! UNIVERSAL EDGE CONDITION					
SCALE:	FULL			DRAWING NO.	ETP28-B-0-A_ELR27-B-0-A CCD		DRAWN BY	DMMH		DATE	09/15/2012	
OTHER:	S-5!® PRODUCTS ARE PROTECTED BY MULTIPLE U.S. PATENTS INCLUDING 5,228,248, 5,983,588 AND 6,164,033 (OTHERS ISSUED AND PENDING). EUROPEAN PATENTS ARE ALSO APPLIED FOR AND PENDING UNDER THE PATENT COOPERATION TREATY WITH DIVISIONAL FILING RIGHTS RETAINED. METAL ROOF INNOVATIONS, LTD. (LICENSOR OF S-5!® TECHNOLOGY) AGGRESSIVELY PROSECUTES PATENT INFRINGEMENT.											